

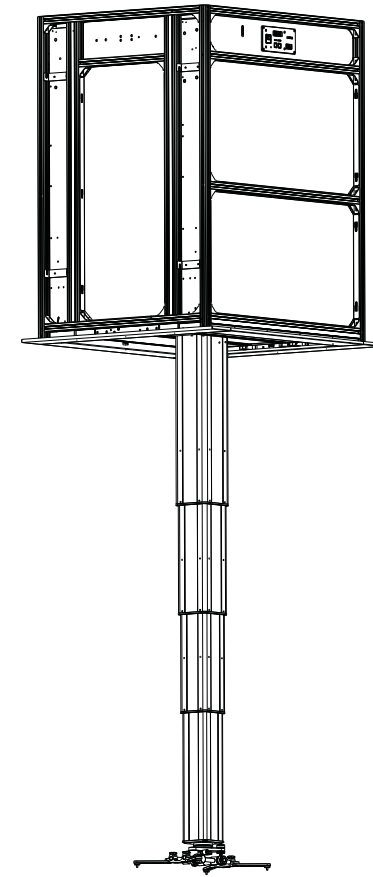
# Grandview

## Grandview Projector Lift Instruction Manual

---

Model: GPAD58 Series  
GPAC58 Series

Grandview



Grandview Crystal Screen Guangzhou Co.,Ltd.  
GuangzhouJudeIntelligent Audiovisual EquipmentCo.,Ltd.  
No.43S,GuomaoAve.Hualong,Panyu,Guangzhou,Guangdong,PR.C  
<http://www.grandviewscreen.com>  
After-saleservice Tel020-84899499



---

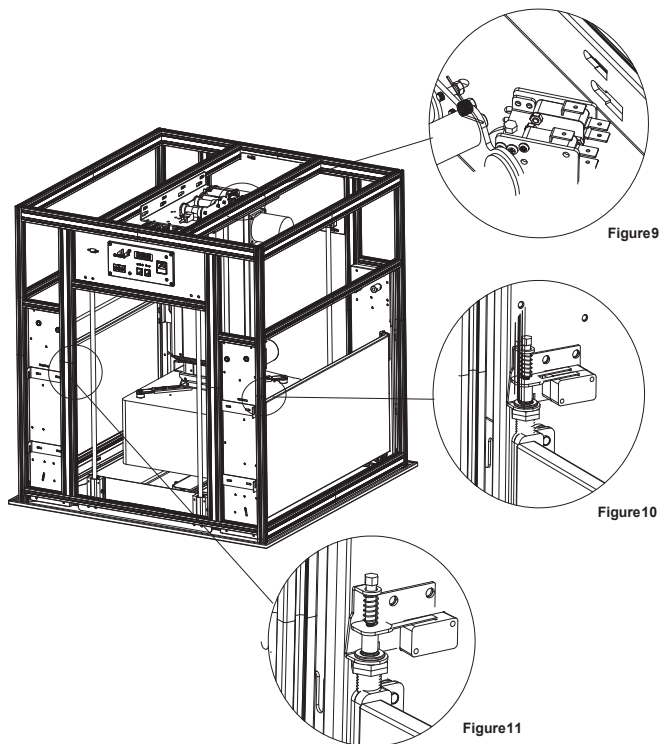
Thank you for purchasing this product. Please read the manual carefully before use.



## Troubleshoot






This product is designed to be used for many years without failure, and many problems are caused by simple little things. If you find a problem, please check the simple fix list below. If the problem persists, please contact an authorized dealer.

Problem	REASON	Solutions
HDMI screen failure	①HDMI bad quality or dust got inside	①Replace the new HDMI cable or Blow off the HDMI head dust
	②The crystal head of the network cable box is not grounded	②Connect the crystal head of the network cable box to the ground
door close failure	①Deformation of the door close lever switch bracket	①Check if there is any deformation of the door-closing switch bracket, if yes, please fix the bracket, (Figure 10, 11)
	②The door close lever switch is broken	② replace the new switch
noisy when door closing	Touching the decorative frame or side sealing plate when closing the door	Decorative frame or side seal plate is not installed right.
telescopic down failure	Telescopic lever switch is stuck (the bracket is deformed)	Fix the telescopic lever switch bracket, let the switch paddle can be moved. (Figure 9)
door close when telescopic up	The lever switch is stuck when telescopic door closing (the bracket deforms)	Fix the telescopic lever switch bracket, let the switch paddle can be moved. (Figure 9)
positioning mislocation	Circuit board problem	Contact with manufacturer or dealers.



## Caution

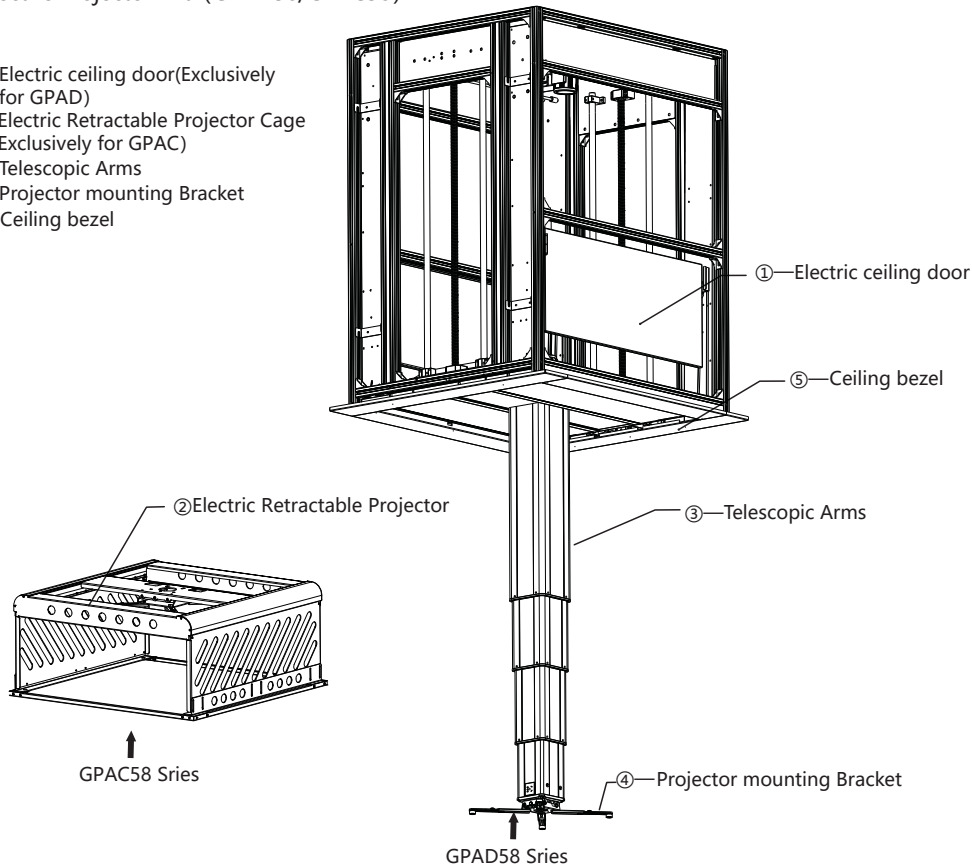
1. Please ensure the installation ceiling be secure enough to avoid falls. The loading capacity must be 4 times of the projector lift and the projector.
2. Please tighten all the screws and check whether it become loose regularly, to ensure safety use.
3. Please do some regular maintenance.
  - A. When dirty mark there, please gave the lift a polish with a soft duster.
  - B. When dust there, please remove with soft brush.
4. Kindly suggest a specialist to manage this device, then ensure security and smooth use.
5. Please ensure the lift up and down via Remote control, no pulling with hands.
6. Always retract the lift to the ceiling after use.
7. Ensure the power outlet is connecting with grounding wire.
8. There is no need to add the lubricant to the motor. Do not regulate the motor by yourself, the motor is already in the right position before delivery, Please call a specialist to help you on this when it is needed.

 Please do read the caution, incorrect operation will cause accident and product damage.	 Please install the lift in the place with stronger loading capacity, other wise accident may happen and falling risk there.
 When the lift is fully lowered, the bottom of the lift should be no less than 1.8 meters away from the ground to avoid being touched by children.	 Do not take apart the lift by yourself, Please call a specialist to help you on this when Fix and regulating job in needed
 Please always retract the lift to the ceiling after use, prevent the dust entering.	

## Components

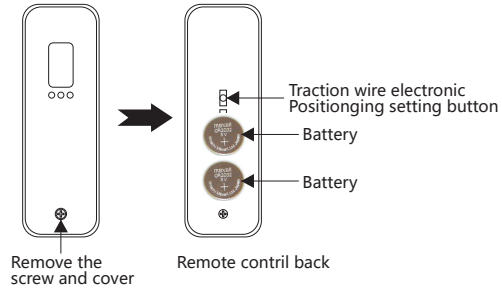
### Electric Projector Lift (GPAD58/GPAC58)

- ① Electric ceiling door (Exclusively for GPAD)
- ② Electric Retractable Projector Cage (Exclusively for GPAC)
- ③ Telescopic Arms
- ④ Projector mounting Bracket
- ⑤ Ceiling bezel



## Accessories

- |                |      |                         |      |                          |      |
|----------------|------|-------------------------|------|--------------------------|------|
| ■ Ac097 remote | 1pcs | ■ 4x25 Cross head screw | 4pcs | ■ 5x25 Cross head screw  | 4pcs |
| ■ Manual       | 1pcs | ■ 4x20 Cross head screw | 4pcs | ■ 5x20 Cross head screw  | 4pcs |
| ■ Line buckle  | 6pcs | ■ φ20x10 Black washer   | 4pcs | ■ Hexagonal Adjuster 4mm | 4pcs |
| ■ Power cable  | 1pcs |                         |      |                          |      |



### Remote control Notes

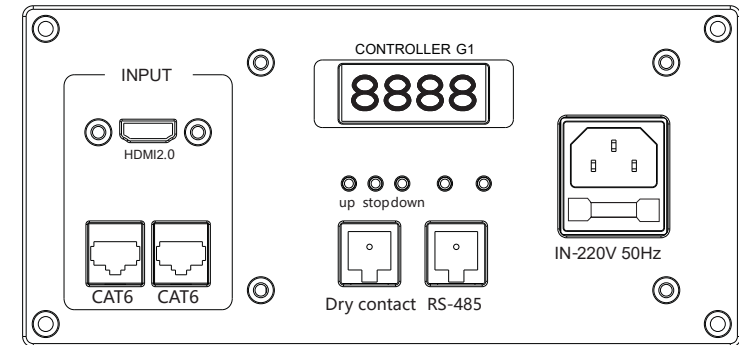
1. Working temperature: -20°C to +70°C
2. Battery: 2 pcs of RC2032 button battery
3. Requires replacement battery when given signal weak

### Battery installation:

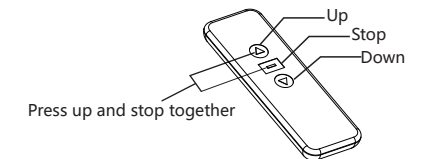
When remote control signal weak, please replace as following:

1. Remove screw and cover on the back of remot
2. Install battery in correct direction of positive and negative pole according to picture.
3. Reinstall cover and screw

## Remote control learning mode



Picture 8



### Remote controller re-programming instruction:

This product has learning and pairing function. Please enable learning function when first use remote to control the projector lift.

(This product has been paired and learned before EXW)

1. Picture 8, when projector lift is under loading status, long press stop on the control panel within 5 seconds after switched on. When number display screen flicker, this product is under learning mode or hold up and stop button for 10 seconds into the study mode.
2. Press up and stop on the remote control until the projector lift slight move upwards and downwards.
3. Test if the remote could control the product properly, if not, try to pair again.

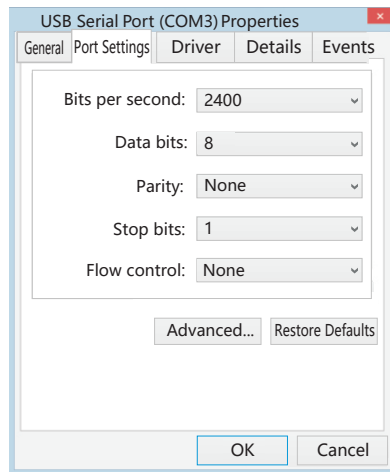


## Rs485 Port Setting:

Bit Rate: 2400;  
 Data bit: 8 bit;  
 Odd check: N/A;  
 Stopping position: 1

### Hexadecimal control code:

UP:ff,ee,ee,ee,dd  
 STOP:ff,ee,ee,ee,cc  
 DOWN:ff,ee,ee,ee,ee  
 Learn address code instruction:  
 if -- -- aa, Can be any character  
 or number, If input ff 11 11 11 aa,  
 It is ff 11 11 11 dd actually, Other  
 codes do the same.



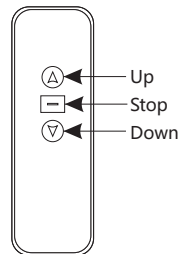
### Notice:

1. When connecting via RS232 or RS485, if any control fails, please switch two controlling cable.
2. Connecting Loop Resistance Tester should not be over 20Ω
3. Prohibit parallel line with strong interference source

## Remote controller

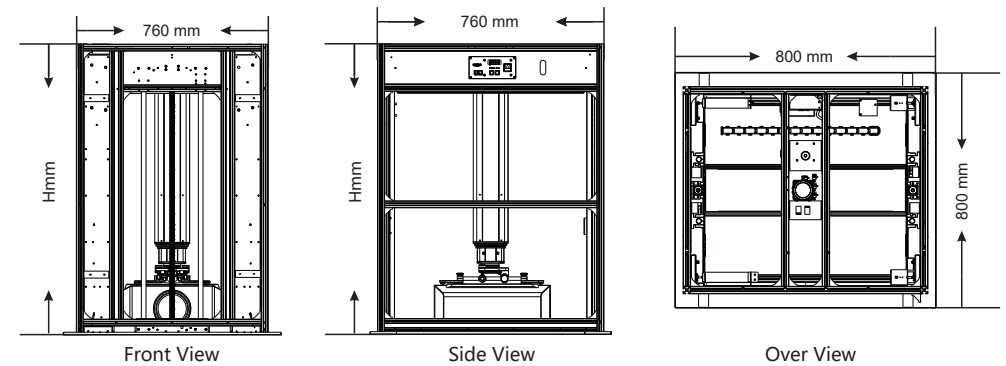
### Control button instruction

1. Press UP to lift
2. Press STOP to stop
3. Press DOWN to lower



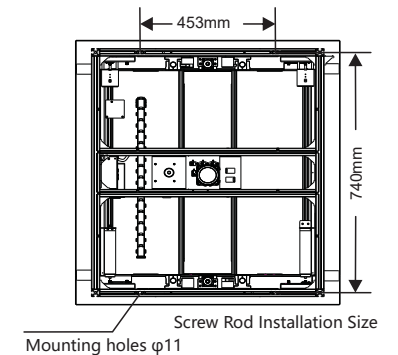
Front View

## Specification



### Model:GAD58/GPAC58 Series

1. Product size: 760x760xH mm
2. Load capacity: 25kg
3. Rated Voltage: AC220V/50Hz
4. Rated Power: 100W
5. Ceiling Hole Opening Size: W775XD775mm
6. Screw Rod Installation Size: W453XD740mm
7. Ceiling door Dimension: 800mmx800mm
8. Suitable for projector size: W550xD580xH260mm  
(Including wiring and lens)
9. The noise: ≤55dB
10. Control mode: Weak current dry contact, Rs-485, Wireless RF  
Ceiling height: H+50mm

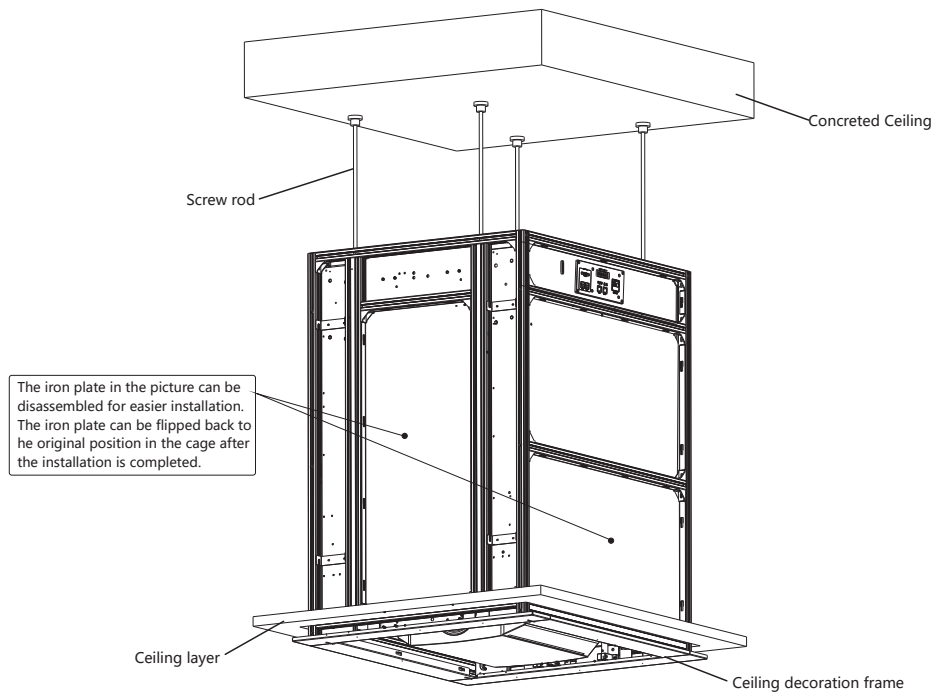


# Installation

## Installation instructions

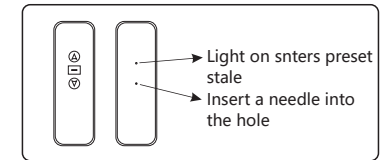
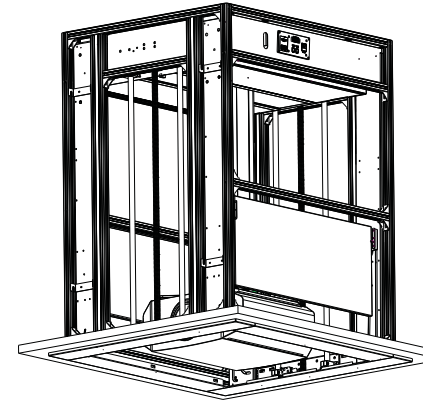
This projector lift needs to be recessed into the ceiling, and this instruction takes the grille-ceiling as the example. Please install the projector lift according to different application. The projector lift needs to be recessed at the best viewing angle in order to improve the image. Take out all the parts from the packaging and follow the installation instructions as below.

\*For the convenience and safety, please read this instruction manual carefully and choose an installation according to your requirement.

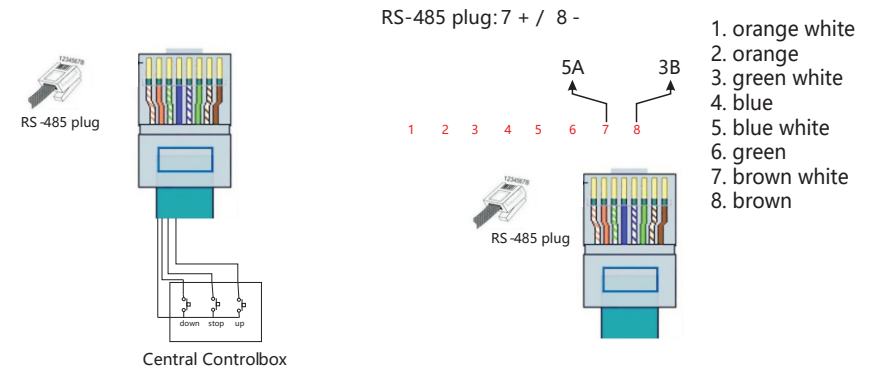


## Remote Localizer

Need to set the lower limit, opened the door of electric double mask, when finished surface layer board to small pox, press the pause button, will the remote control on the back of the puncture needle inserted to blue light, the hanger into the default state, meet customer customer desired location, press the stop button, once again, use a needle to insert the holes at the back of the remote control lights, see the hanger slightly moving up and down once, is set to complete.



Central Control Instruction: requires a professional installation or contact



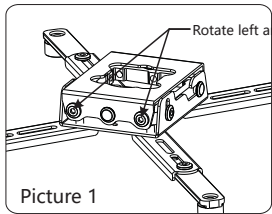
## Rj45wiring instruction :



485-RJ45 plug wiring instructor NO.7—485A NO.8-485B others maintain	Central control RJ45 plug wiring instruction NO.1-GND NO.2-DOWN NO.3--STOP NO.4-UP others maintain
---	--

**Warning:** The top plate must be kept parallel when installing, otherwise it will cause damage to the lift.

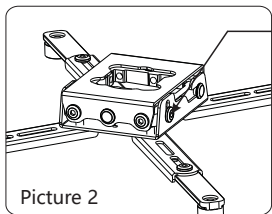
## Angle adjustment



Picture 1

Rotate left and right  $\pm 3^\circ$

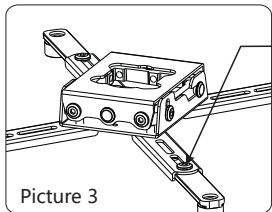
1. Rotate left and right  
Use a hex wrench to loosen the two screws on the front end. As shown by the arrow in Figure 1, the universal joint can be adjusted to the left and right by  $\pm 3^\circ$ .



Picture 2

1° vertically upwards and 8° vertically downwards

2. Vertical up and down adjustment  
As shown in Figure 2, use the hex wrench to loosen the two screws on the left and right. The universal joint can be adjusted vertically upward by 1° and vertically downward by 8°.



Picture 3

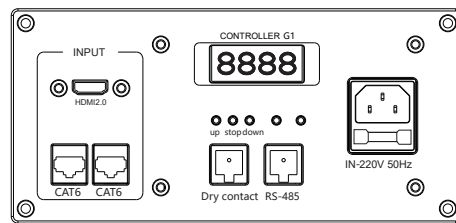
Adjust the length of the mounting feet

3. The installation foot adjustment  
Use a hex wrench to loosen the screws on the mounting feet. As shown in Figure 3, adjust the screws to the desired length and retighten the screws.

## Control

### Control panel description:

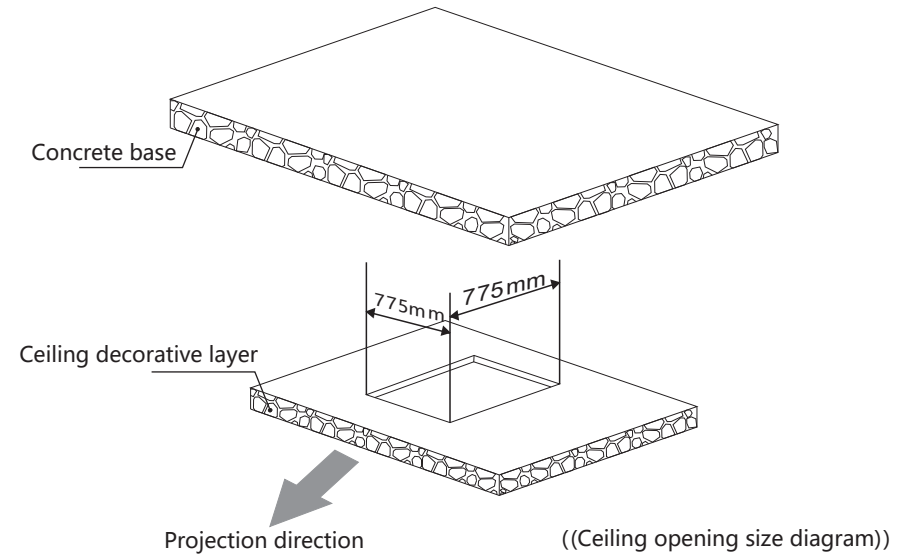
UP : projector lift up  
STOP: projector lift stop  
DOWN : projector lift down  
Communication port: Category 6 network port  
Dry contact: dry contact interface  
RS485: RS485 interface  
Power input: power input interface  
Reset: long press the UP button, the lift is reset  
HDMI 2.0: 19+1 2.0 HD interface



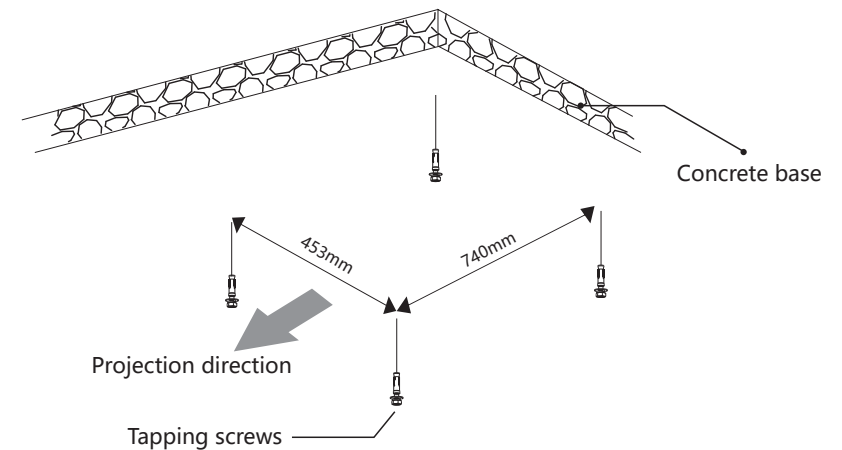
Picture 6

## Installation steps

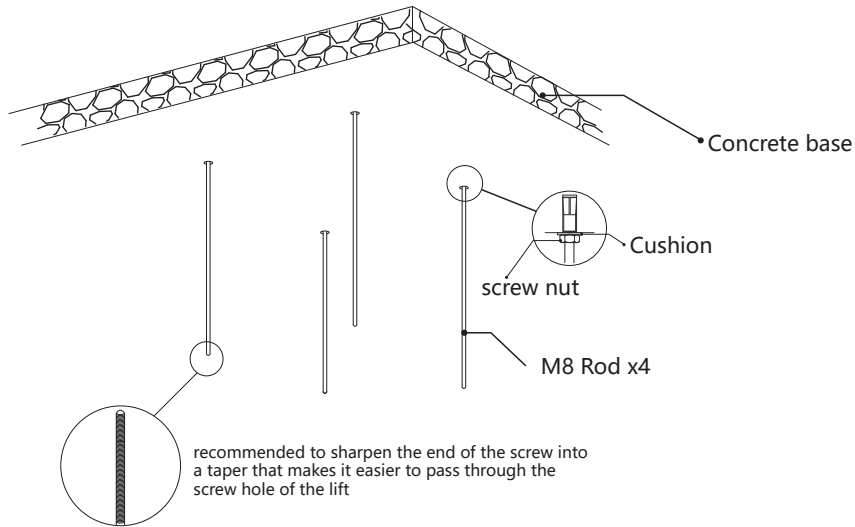
1. Determine the direction of the projector and the installation position, according to the size of the opening in the ceiling layer.



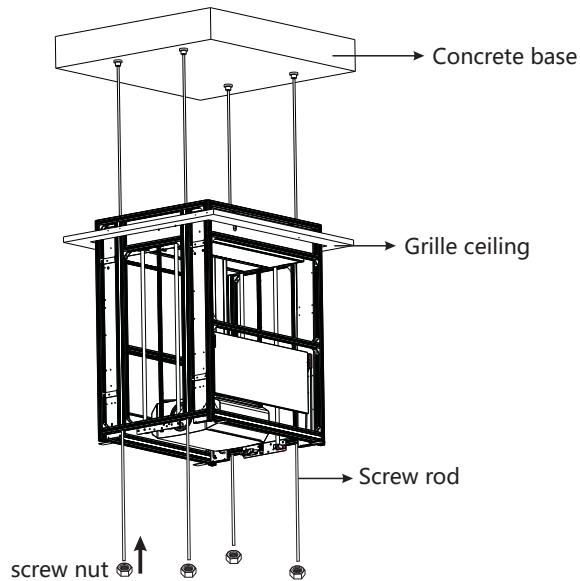
2. Punch the concrete base and install the Tapping screws.



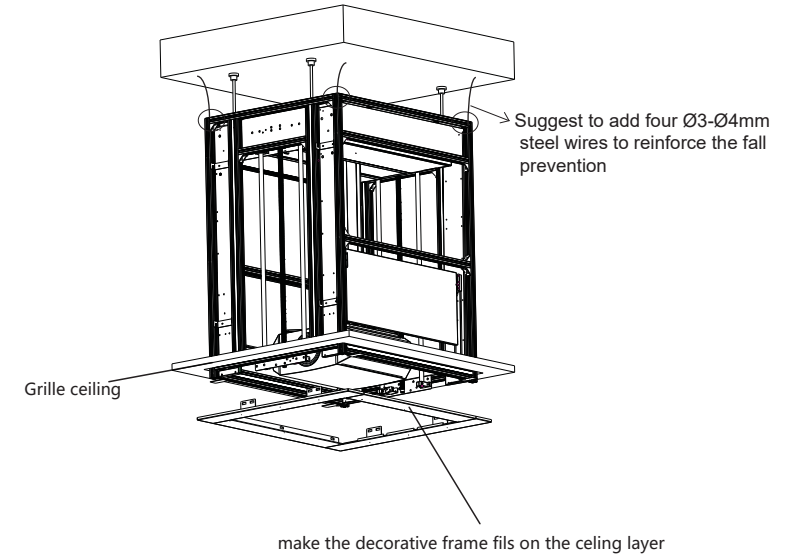
3. After checking that the tapping screw is fixed, install the screw rod and fix it. (In order to make the screw rod easier to pass through the lifter, we recommend that the end of the screw rod be tapered, and the length between each two lead rods can differ by 10-20mm.



4. Lift the lifter to the height of the installation position by using the lifting equipment, and pass the screw rod through the four holes of the lifter. Adjust the height of the lifter with the screw nut so that it is flush with the height of the ceiling layer. Remove the excess screw rod.



5. Install the decorative frame so that the decorative frame fits on the ceiling layer and the installation is completed. In order to prevent the lift from falling down, we suggest adding 4 pieces of steel rods (Ø3-Ø4mm diameter required) at the four end corners, and place them into the ceiling as well.



⚠ please note that you must touch the upper limit switch to stop the projector lift from rising!  
 ⚠ The level above the electric lift must be adjusted to the level, Tilting can cause the electric hanger to malfunction.

For the convenience of installation, the side plates of the cage can be removed first. After the installation is completed, the installer can stand in the cage and reinstall the side panels. At this time, the side panels must be turned over and installed. If it is necessary to adjust the limit height due to the installation environment or the limitations of the site, it must be adjusted by a special technician or contact distributor.

## Projector installation

1. Lower the bamboo joint of the lift to the height suitable for the installer to install the projector, and remove the mounting feet on the bamboo joint.
2. After the mounting feet are fixed on the projector, re-attach the projector and the mounting feet to the angle adjuster and tighten the screws.

(Note: Be sure to confirm that the screws are securely locked, be careful to prevent the projector from accidentally falling!)

